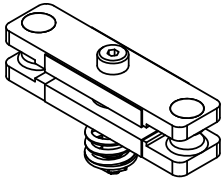
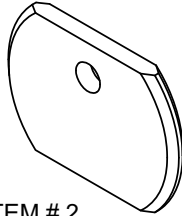


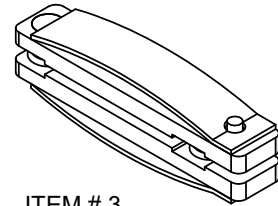
BILL OF MATERIALS				REVISIONS				
ITEM #	PART #	QNTY	DESCRIPTION	REV	DESCRIPTION	APPRVD	DATE	
1	2201012200	6	MAIN MVG FGR ASSY w/o SHUNT	A	ADDED OEM #S AND ISO VIEWS CORRECT OEM NUMBER ON ITEMS 1, 2, 3, 7, 9, 10 & 11, RMV * FROM ITEM 7, REV BOM DESCRIPTIONS & UPDATE TITLE BLOCK CHG ITEM 1 OEM # (WAS W5121A0434) & ITEM 3 (WAS W5121A0435)	<b>RB</b>	01/18/06	
2	2201022110	24	MAIN FIXED CONTACT BLADE	B			<b>RB</b>	08/29/14
3	2201012202	6	COLLECTOR FGR SET w/HDW					
4	2201011100	3	REVERSE HINGED ASSY w/HDW					
5	2201021215	3	RH FIXED REV SW STA CONTACT	C		<b>RB</b>	12/29/14	
6	2201021216	3	LH FIXED REV SW STA CONTACT					
7	2201010010	12	LOAD XFER ACING BUTTON ASSY					
8	2201011065	12	XFER SWITCH MAIN STA CONTACT					
9	2201010305	6	DIVERTER ROLLER ASSEMBLY					
10	2201013025	3	INNER COLLECTOR RING					
11	2201013026	3	OUTER COLLECTOR RING					



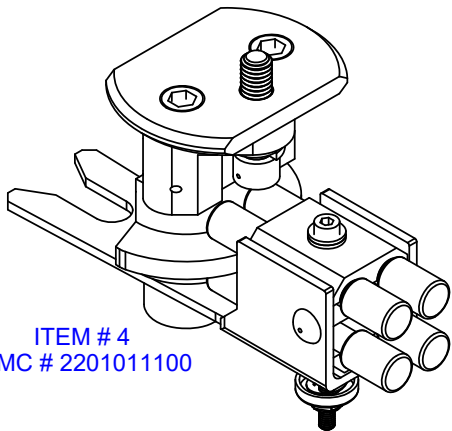
ITEM # 1  
OEM # W-5121-P-0819B (REF)  
(KIT #13 ONE PHASE)  
NMC # 2201012200



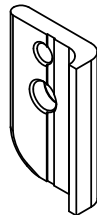
ITEM # 2  
OEM # W5121A0446  
NMC # 2201022110



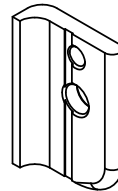
ITEM # 3  
OEM # W-5121-P-0820B (REF)  
(KIT #14 ONE PHASE)  
NMC # 2201012202



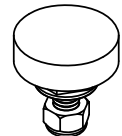
ITEM # 4  
NMC # 2201011100



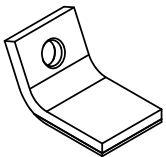
ITEM # 5  
OEM # R-10 5121-B-0452  
NMC # 2201021215



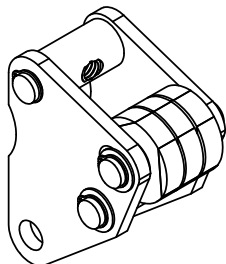
ITEM # 6  
OEM # R-11 5121-B-0452  
NMC # 2201021216



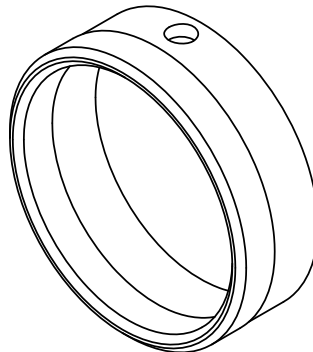
ITEM # 7  
OEM # 51210826A  
NMC # 2201010010



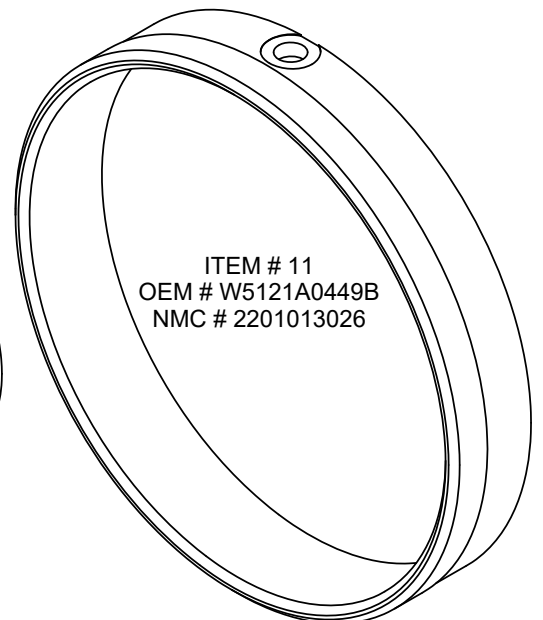
ITEM # 8  
NMC # 2201011065



ITEM # 9  
OEM # W5121P0810 (REF)  
NMC # 2201010305



ITEM # 10  
OEM # W5121A0449A  
NMC # 2201013025



ITEM # 11  
OEM # W5121A0449B  
NMC # 2201013026



<b>NORMANDY MACHINE COMPANY INC.</b> 815 EAST CHERRY STREET, TROY MISSOURI 63379		MANUFACTURER <b>FEDERAL PACIFIC</b>
FEDERAL PACIFIC TC-23, 34, 46 & 546 800 AMP COMPLETE TAP KIT		MAN. PART NO.
DRWG. NO. 2201000100		TYPE TC-23, 34, 46 & 546
		EQUIPMENT RATING 800 AMP