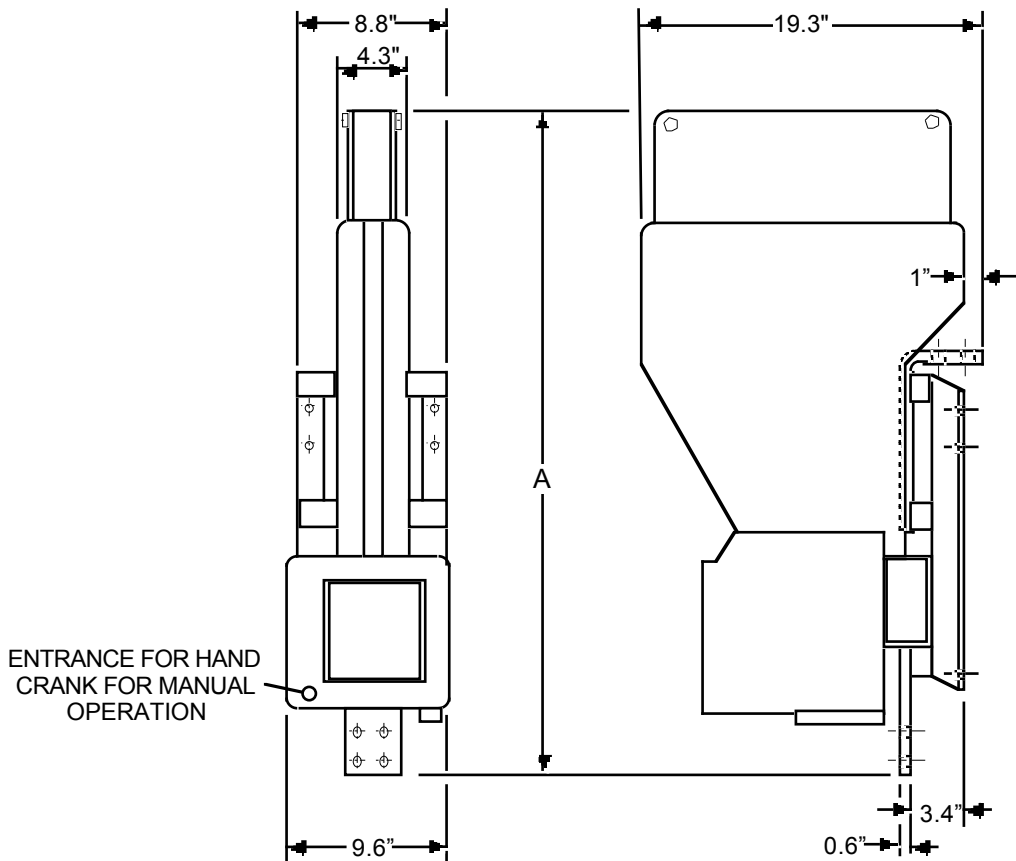


RITTER MOTOR OPERATED LOAD BREAK DC DISCONNECTS



Dimensions in Inches

<i>Ratings and Specifications</i>					
TYPE	RGL-6	RGL-7	RGL-9	RGL-8	RGL-10
THERMAL CURRENT RATING	3150 A	4000 A	3150 A	4000 A	6000 A
NOMINAL VOLTAGE RATING	750 VDC	750 VDC	1500 VDC	1500 VDC	1000 VDC
RATED INSULATION VOLTAGE	1200 VDC	1200 VDC	3000 VDC	3000 VDC	2300 VDC
BREAKING CAPACITY	10 KA	10 KA	4.8 KA	4.8 KA	10 KA +
MAKING CAPACITY	31.5 KA	31.5 KA	31.5 KA	31.5 KA	31.5 KA
250 ms WITHSTAND CURRENT	50KA	50KA	16KA	16KA	31.5 KA
HEIGHT (A) INCHES	32.9 IN.	32.9 IN.	41.7 IN.	41.7 IN.	32.9 IN.
WEIGHT	110 Lb	110 Lb	132 Lb	132 Lb	151 Lb